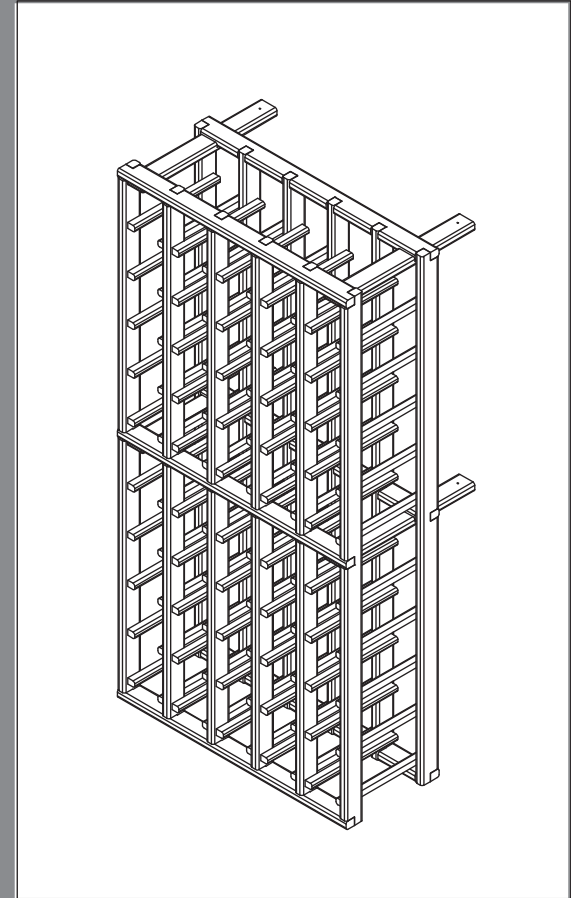


# Vintage Classic Kit Rack™

by VintageKeeping



## ASSEMBLY INSTRUCTIONS



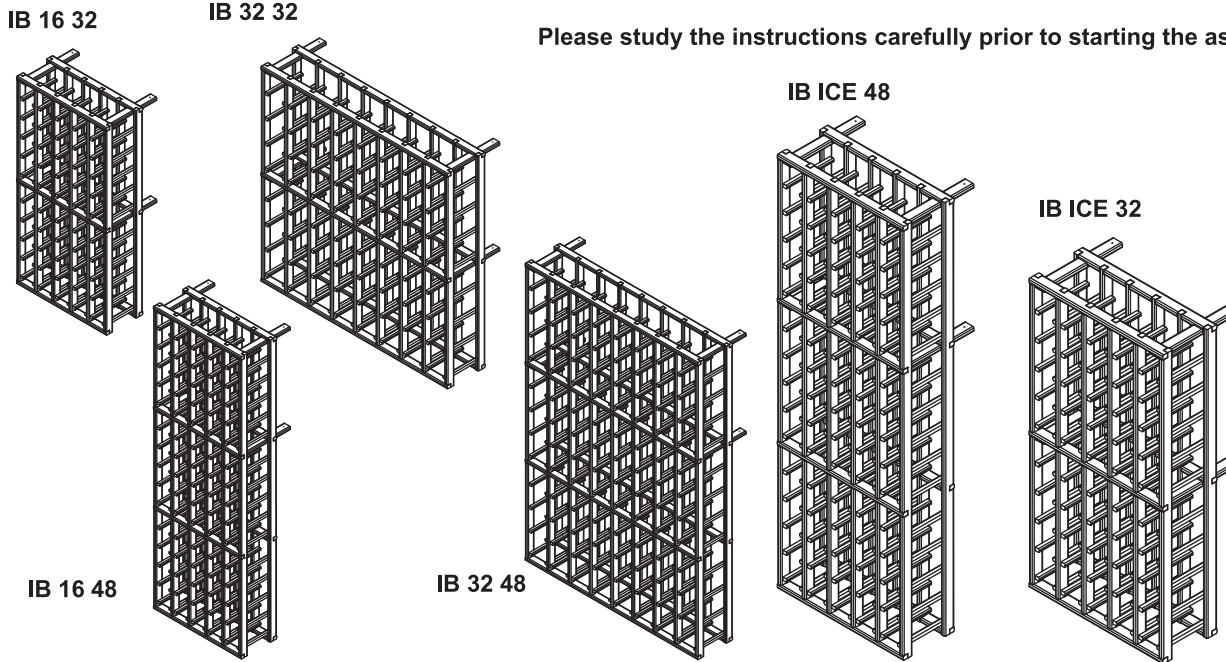
### FOR KIT RACKS:

- IB 16 32
- IB 32 32
- IB ICE 32
- IB 16 48
- IB 32 48
- IB ICE 48

# INTRODUCTION

Thank you for purchasing a Vintage Classic KIT RACK. The following instructions will help you assemble kit number IB 16 32. The same procedure can be followed to assemble kits IB 16 48, IB 32 32, IB 32 48, IB ICE 32 and IB ICE 48 .

Please study the instructions carefully prior to starting the assembly.

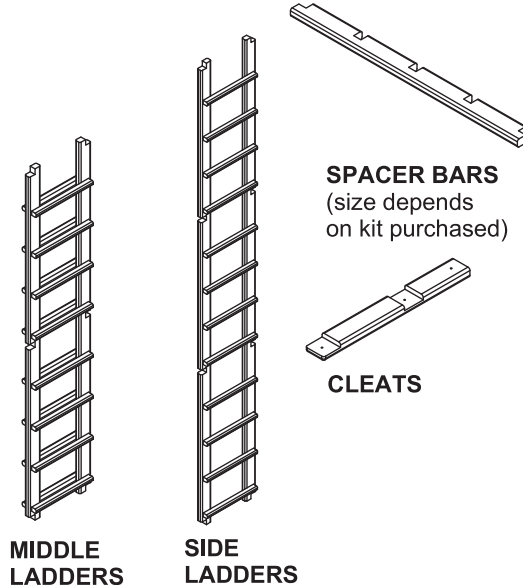


## QUANTITY OF COMPONENTS PER KIT

KIT NUMBER	COMPONENT			
	MID LADDER	SIDE LADDER	SPACER BAR	CLEAT
IB 16 32	3	2	6	4
IB 16 48	3	2	8	4
IB 32 32	7	2	6	4
IB 32 48	7	2	8	4
IB ICE 32	4	2	6	4
IB ICE 48	4	2	8	4

## COMPONENTS

The following components are included in kit:



**SPACER BARS**  
(size depends on kit purchased)

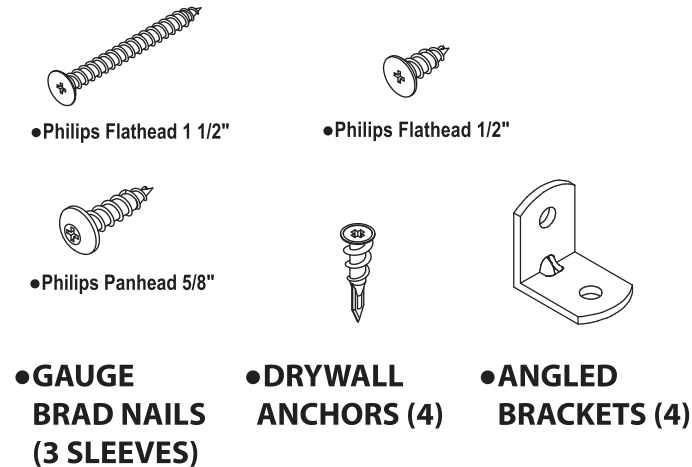
**CLEATS**

**MIDDLE LADDERS**

**SIDE LADDERS**

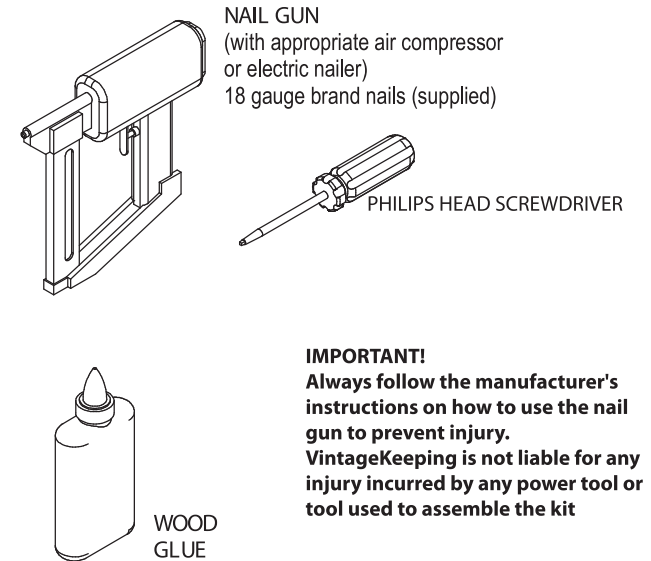
## HARDWARE

The following hardware and quantity is included in all kits:



## TOOLS REQUIRED

The following tools are required (NOT INCLUDED):

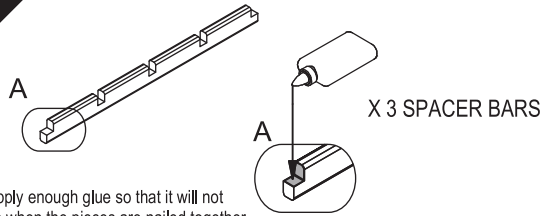


**IMPORTANT!**  
Always follow the manufacturer's instructions on how to use the nail gun to prevent injury. VintageKeeping is not liable for any injury incurred by any power tool or tool used to assemble the kit

# ASSEMBLY

STEP 1

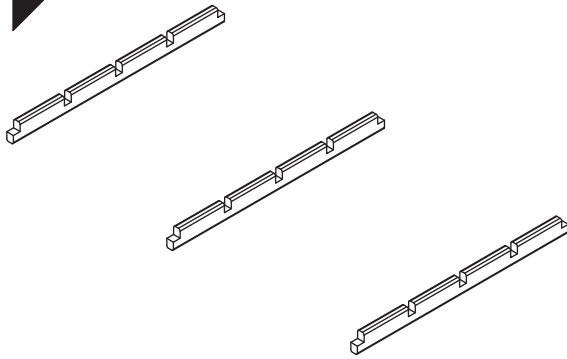
APPLY GLUE TO *SPACER BAR* NOTCHES



\*Apply enough glue so that it will not run when the pieces are nailed together

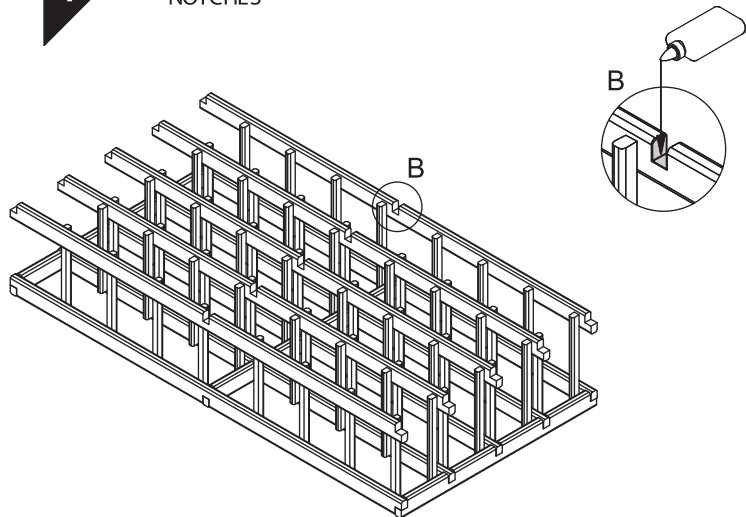
STEP 2

LAYOUT SPACER BARS WITH NOTCHES FACING UP



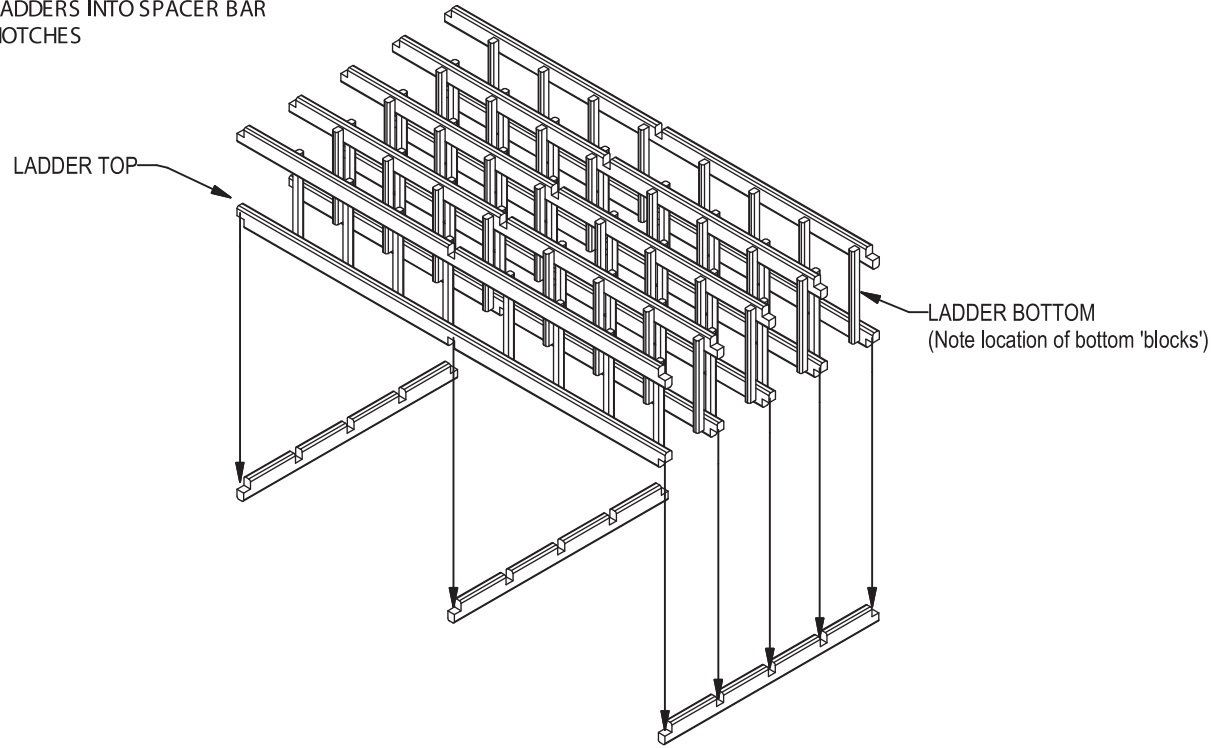
STEP 4

APPLY GLUE TO ALL LADDER NOTCHES



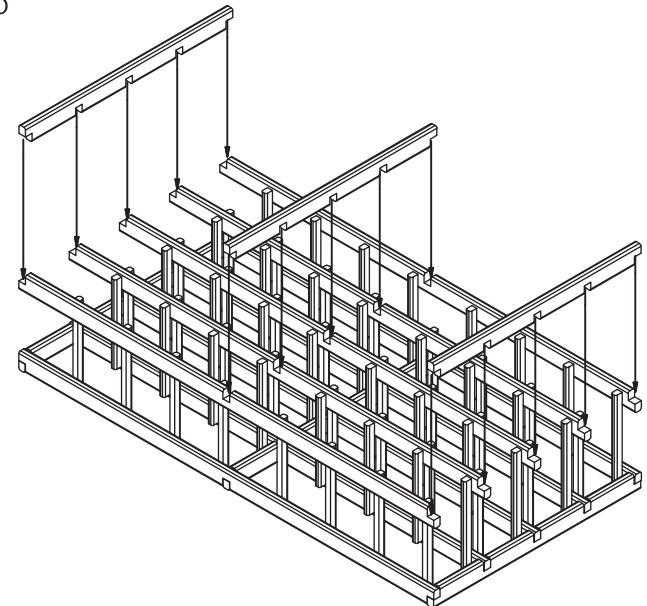
STEP 3

INSERT SIDE AND MIDDLE LADDERS INTO SPACER BAR NOTCHES



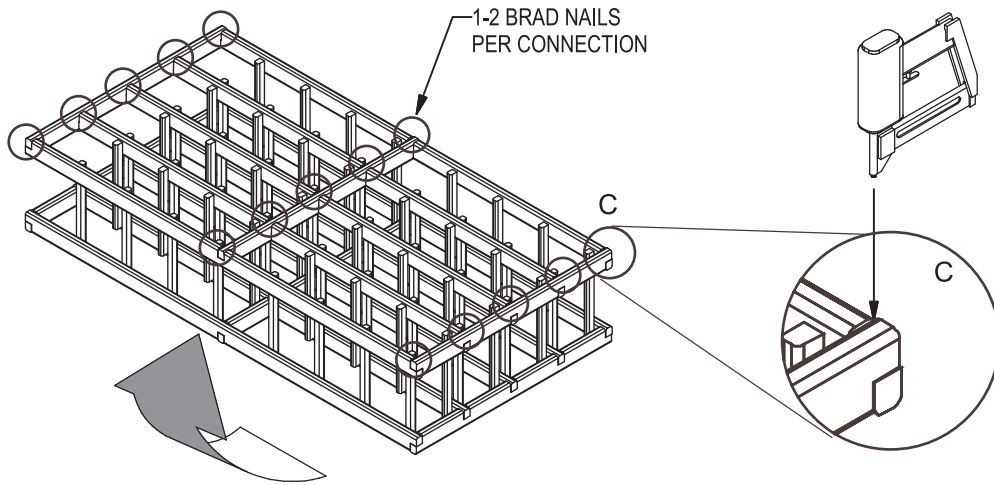
STEP 5

PLACE 3 SPACER BARS INTO LADDER NOTCHES



**STEP 6**

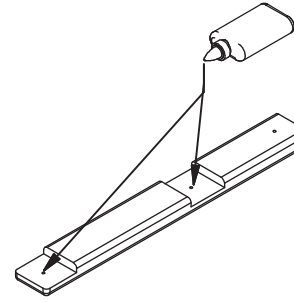
**NAIL SPACER BARS TO LADDERS**



AFTER NAILING THIS SIDE, CAREFULLY TURN THE RACK OVER TO THE OTHER SIDE AND NAIL THE SPACER BARS TO THE LADDERS IN THE SAME PROCEDURE

**STEP 7**

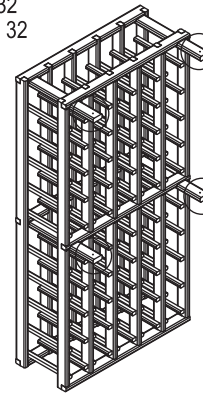
**APPLY GLUE TO CLEAT NOTCHES**



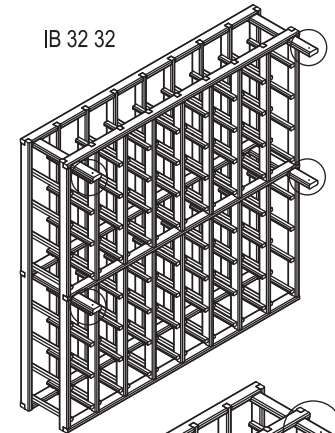
SUGGESTION:  
APPLY GLUE & INSTALL THE CLEAT TO THE RACKING ONE AT THE TIME

**CLEATS POSITIONS FOR EACH TYPE OF RACKING**

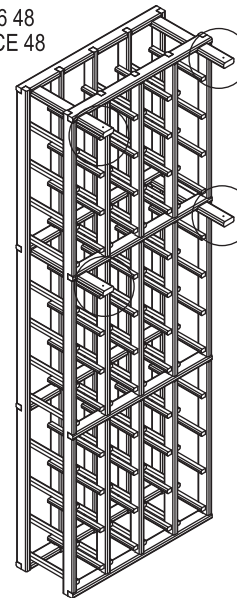
IB 16 32  
B ICE 32



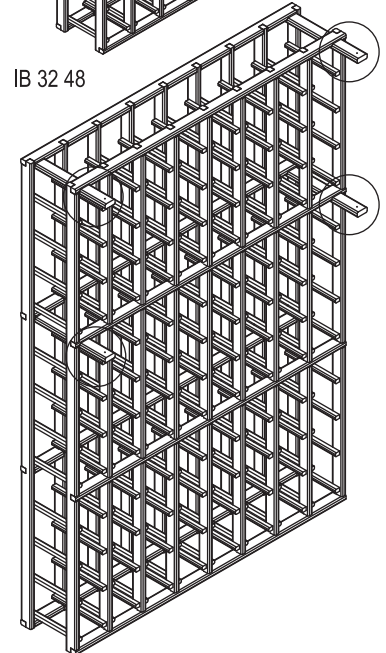
IB 32 32



IB 16 48  
B ICE 48

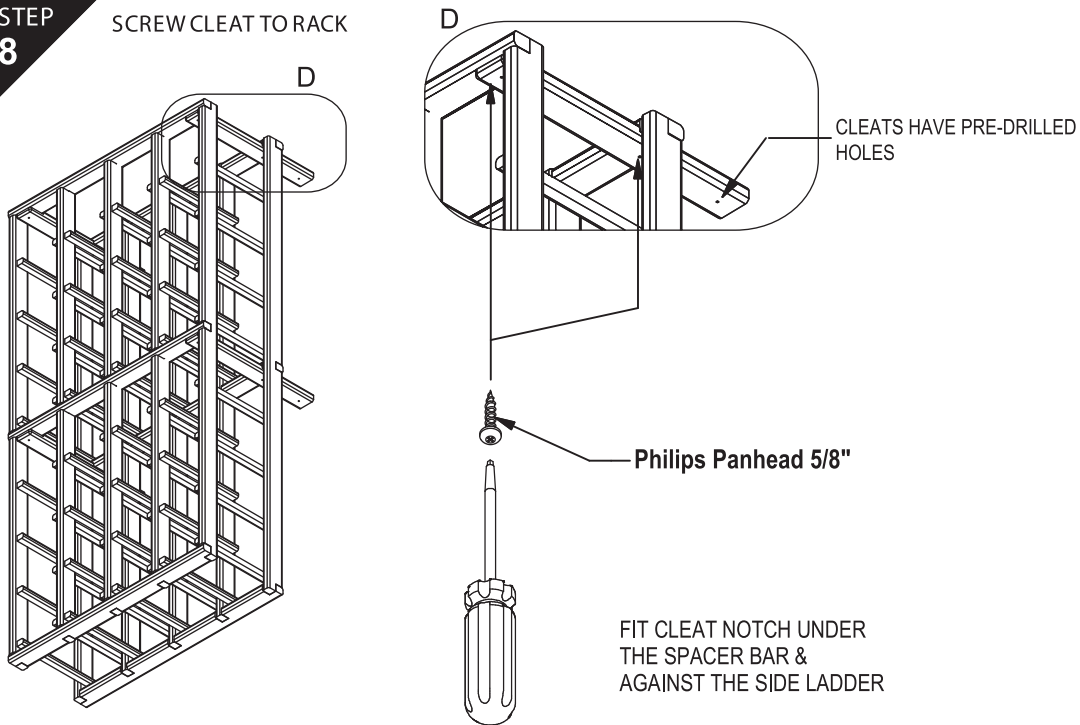


IB 32 48



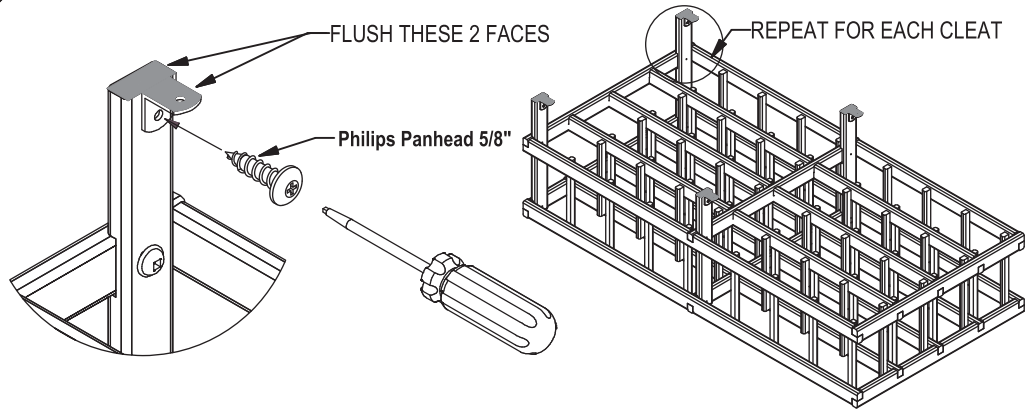
**STEP 8**

**SCREW CLEAT TO RACK**



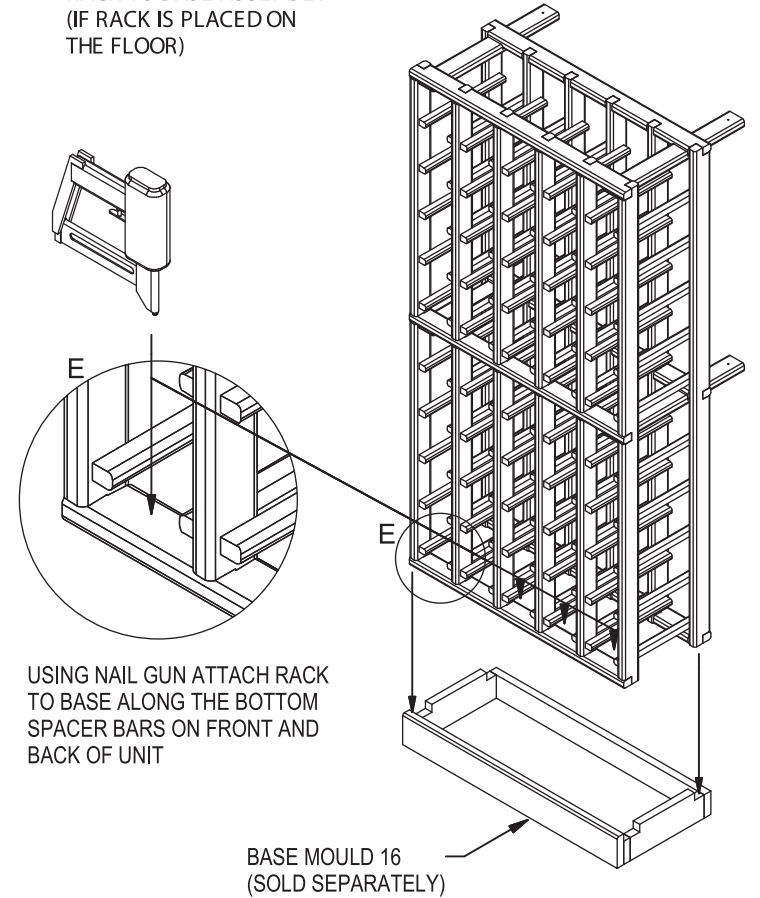
**STEP 9**

SCREW ANGLED BRACKETS TO EACH CLEAT



**STEP 10**

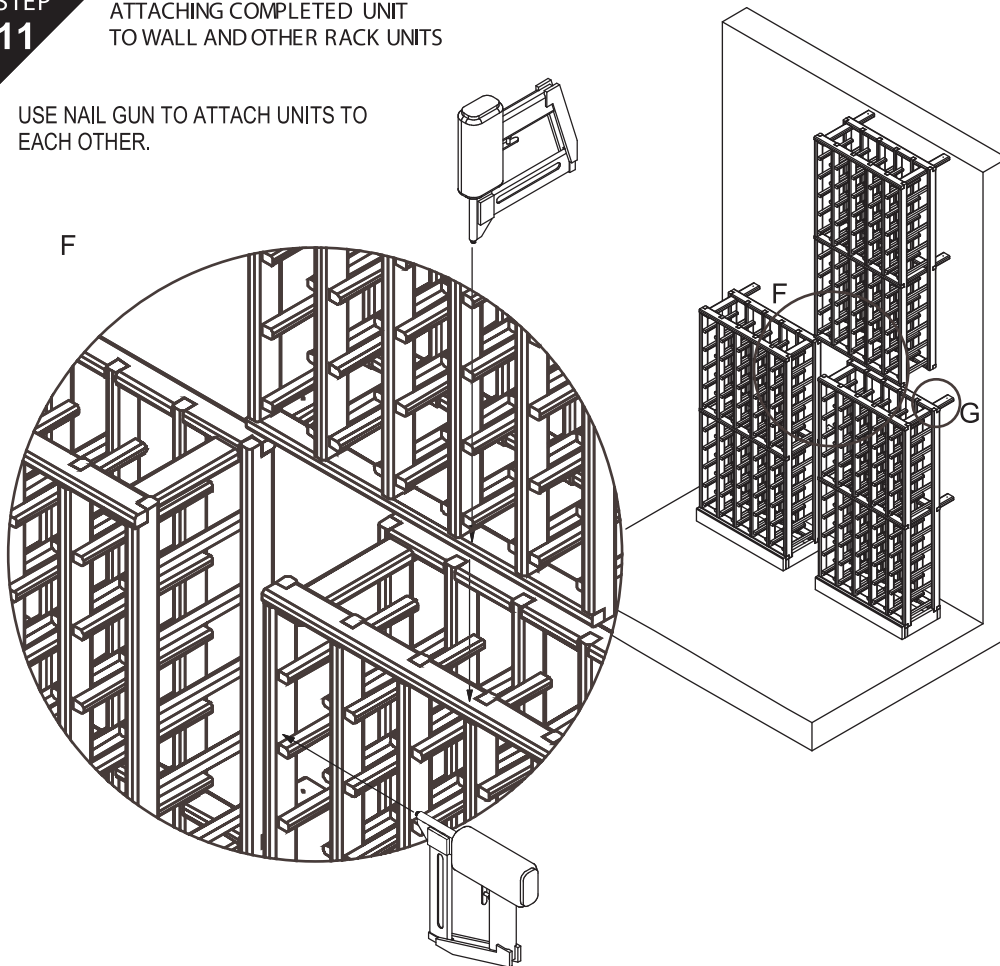
ATTACHING COMPLETED RACK TO BASE ASSEMBLY (IF RACK IS PLACED ON THE FLOOR)



**STEP 11**

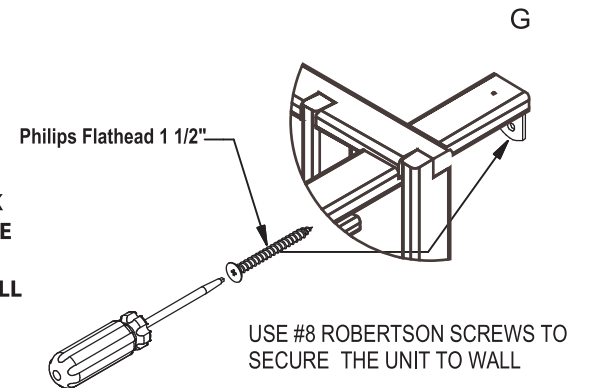
ATTACHING COMPLETED UNIT TO WALL AND OTHER RACK UNITS

USE NAIL GUN TO ATTACH UNITS TO EACH OTHER.



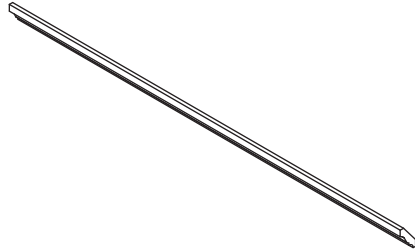
**IMPORTANT**

- 1 - PRIOR TO ATTACHING UNITS TO THE WALL PRE-MOUNT THE UNITS IN THEIR DESIRED POSITIONS
- 2 - USE A PENCIL TO MARK THE LOCATIONS OF WHERE THE ANGLED BRACKETS WILL BE FIXED TO THE WALL
- 3 - PRE-DRILL HOLES AT THESE MARKINGS AND INSTALL THE DRYWALL ANCHORS PROVIDED WITH THE KIT



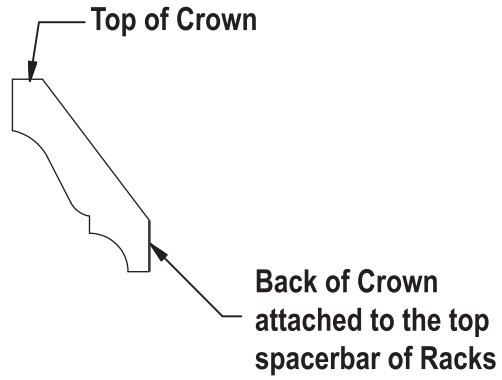
**STEP  
12**

**ATTACHING CROWN MOULD TO RACK**

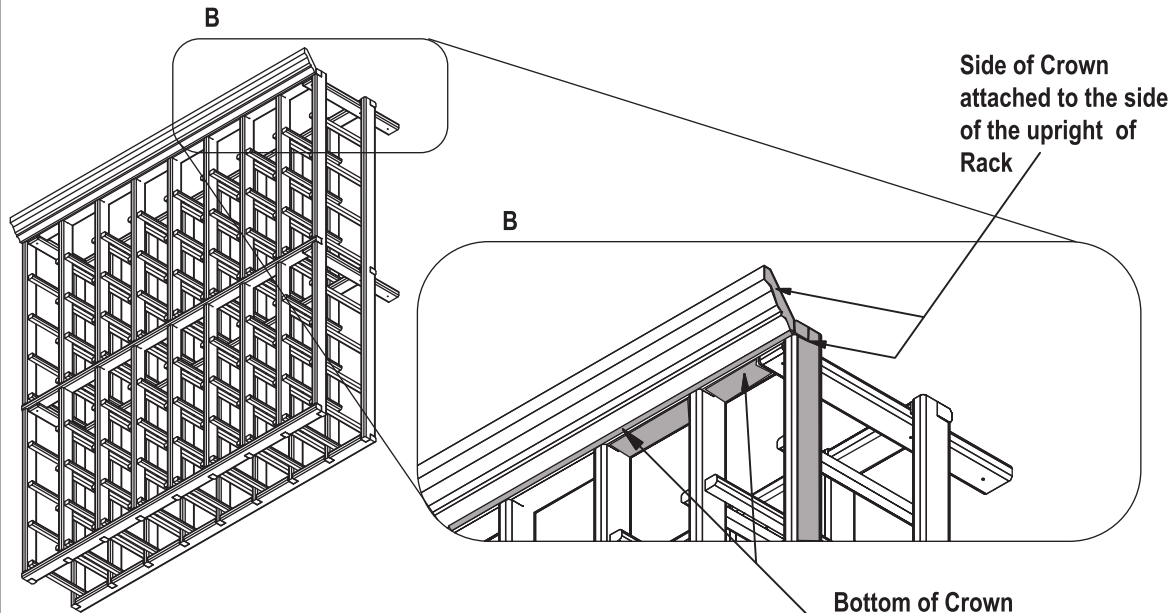
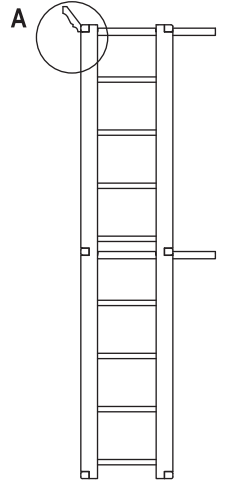
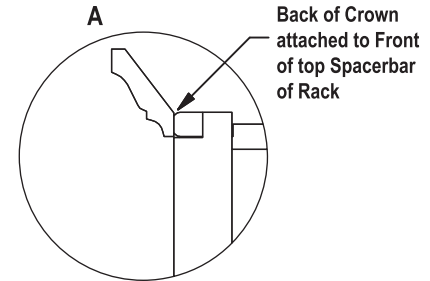


**\*NOTE: CROWN IS NOT PROVIDED WITH KITS**

**CROWN PROFILE**



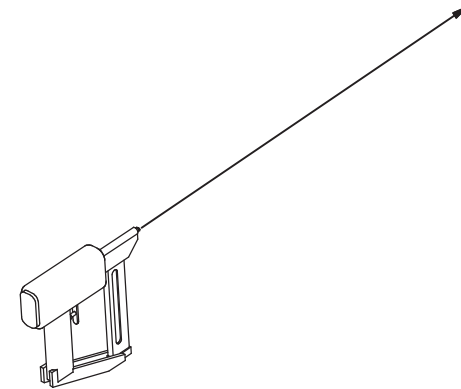
**SIDE VIEW OF CROWN ATTACHED TO TOP SPACERBAR OF RACK**



**VIEW OF RACK FROM UNDERNEATH TO SHOW FACES OF CROWN FLUSHED WITH RACK**

**Bottom of Crown Flushed to the Bottom of the top Spacerbar of Rack**

**CROWN ATTACHED TO RACK**



**Nail in the Front of Crown**

**1-2 NAILS PER LOCATION**