

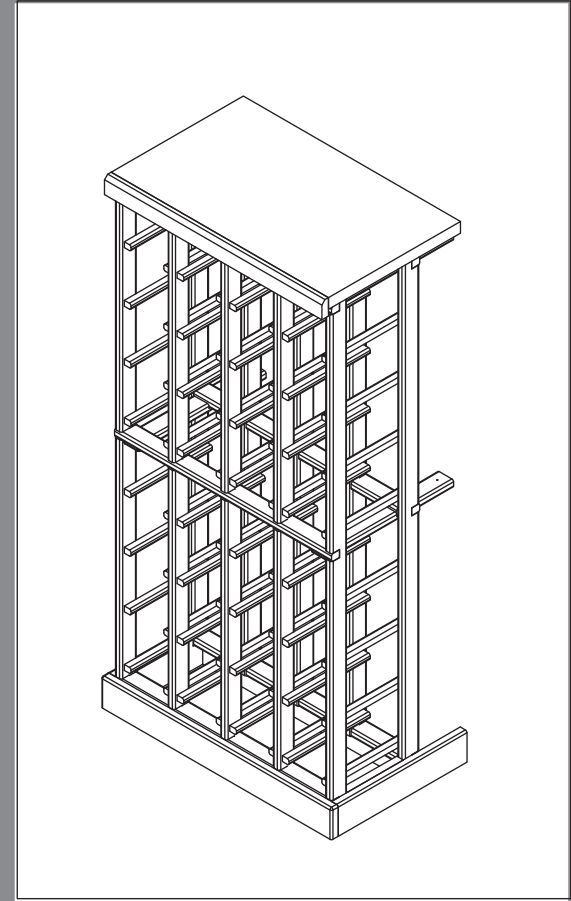
Vintage Classic

Kit Rack™

by VintageKeeping



ASSEMBLY INSTRUCTIONS



FOR KIT RACKS:

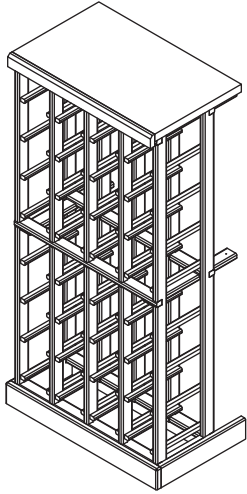
- TASTING TABLE 16 32

INTRODUCTION

Thank you for purchasing a Vintage Classic KIT RACK.
The following instructions will help you assemble kits:

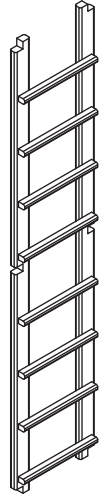
TASTING TABLE 16 32

Please study the instructions carefully prior to starting the assembly.

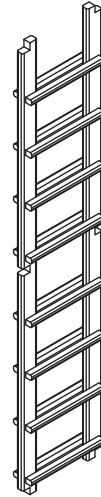


COMPONENTS

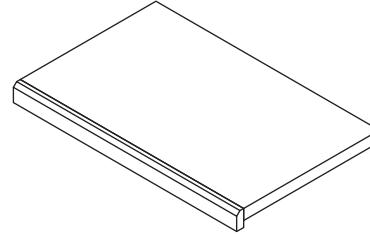
The following components are included in Tasting Table 32 32



SIDE LADDERS



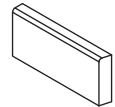
MIDDLE LADDERS



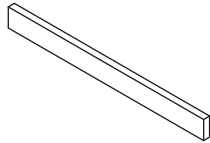
COUNTER TOP

QUANTITY OF COMPONENTS

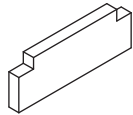
COMPONENT	QTY
SIDE LADDER	2
MIDDLE LADDER	3
COUNTER TOP	1
SPACER BARS	6
BASE SIDES	2
BASE BLOCKS	2
BASE MOULD FRONT	1
BASE MOULD SIDES	2
CLEATS	4



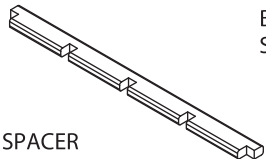
BASE MOULD FRONT & SIDE



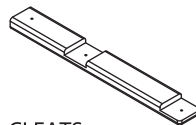
BASE BLOCK



BASE SIDES



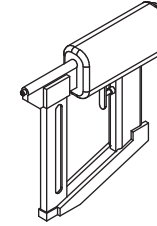
SPACER BARS



CLEATS

TOOLS REQUIRED

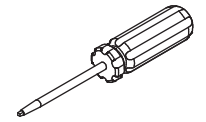
The following tools are required (NOT INCLUDED):



NAIL GUN
(with appropriate air compressor or electric nailer)
18 gauge brand nails (supplied)



WOOD GLUE

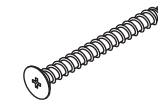


PHILIPS HEAD SCREWDRIVER

IMPORTANT!
Always follow the manufacturer's instructions on how to use the nail gun to prevent injury. VintageKeeping is not liable for any injury incurred by any power or hand tool used to assemble the kit.

HARDWARE

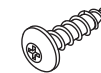
The following hardware is included in all kits:



● Philips Flathead 1 1/2"
QTY: 4



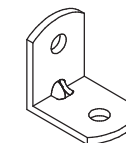
● Philips Flathead 1/2"
QTY: 4



● Philips Panhead 5/8"
QTY: 8



● DRYWALL ANCHORS (4)

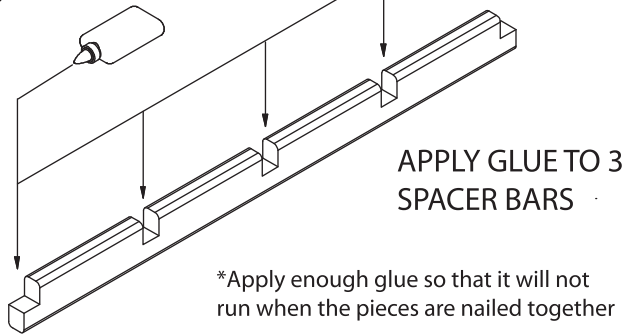


● ANGLED BRACKETS (4)

● GAUGE BRAD NAILS (6 SLEEVES)

ASSEMBLY- IB RACKS

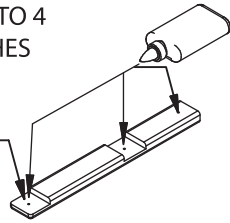
STEP 1 APPLY GLUE TO SPACER BARS



STEP 3 APPLY GLUE TO CLEATS

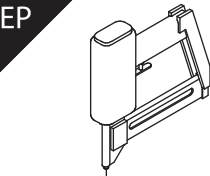
APPLIE GLUE TO 4 CLEAT NOTCHES

CLEATS HAVE PRE-DRILLED HOLES

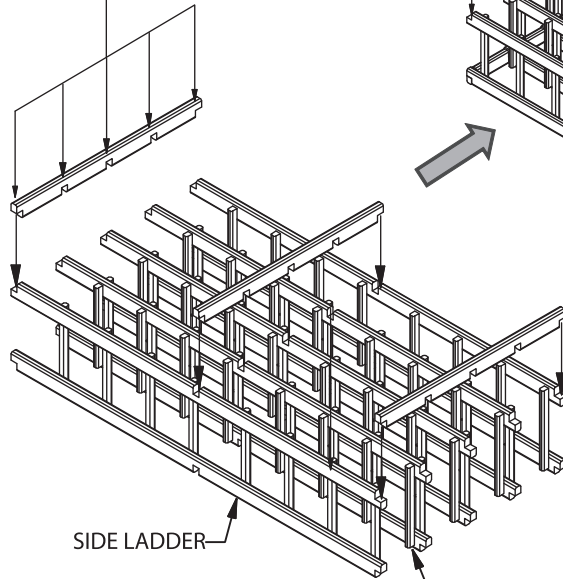


*Apply enough glue so that it will not run when the pieces are connected

STEP 2



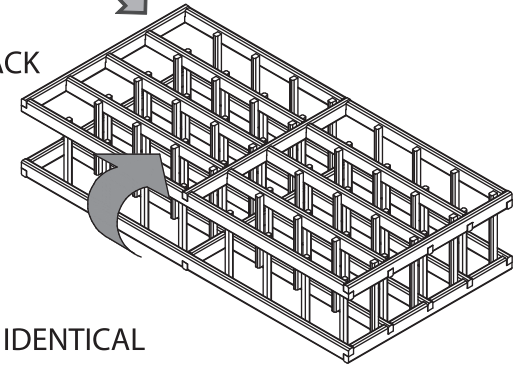
2 NAILS PER CONNECTION FOR ALL 3 SPACER BARS



NAIL SPACER BARS TO OTHER SIDE THE SAME WAY AS THE PREVIOUS DIAGRAM

APPLY GLUE TO 3 MORE SPACER BARS AS IN STEP 1

FLIP RACK OVER

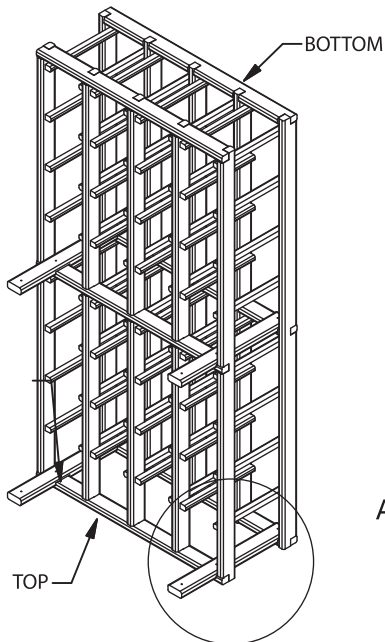


MAKE 2 IDENTICAL RACKS

STEP 4

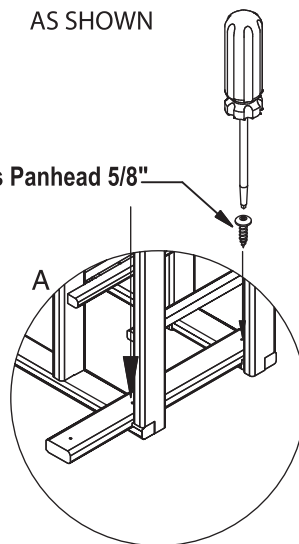
TURN RACK OVER ON ITS TOP SPACER BARS

PLACE CLEATS AT THESE LOCATIONS



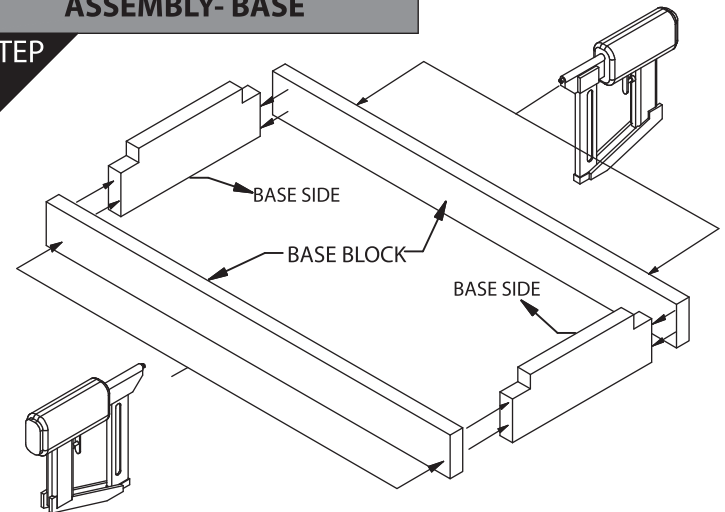
SCREW CLEATS TO SPACER BARS AS SHOWN

Philips Panhead 5/8"



ASSEMBLY- BASE

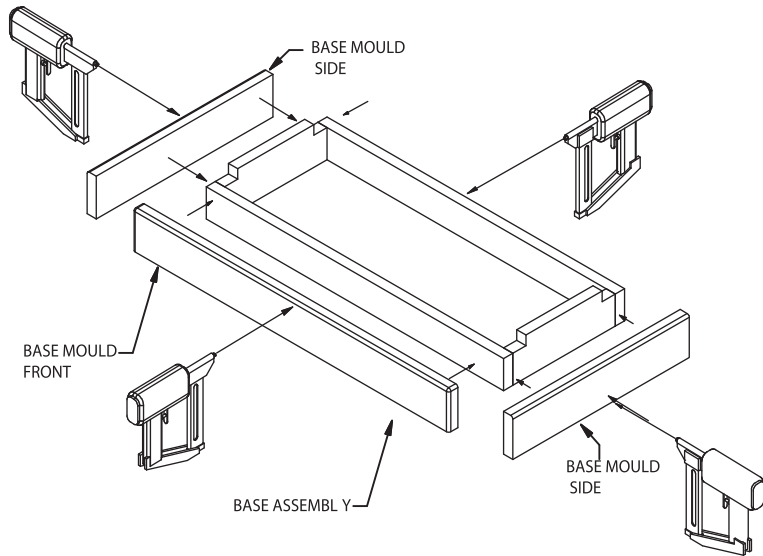
STEP 1



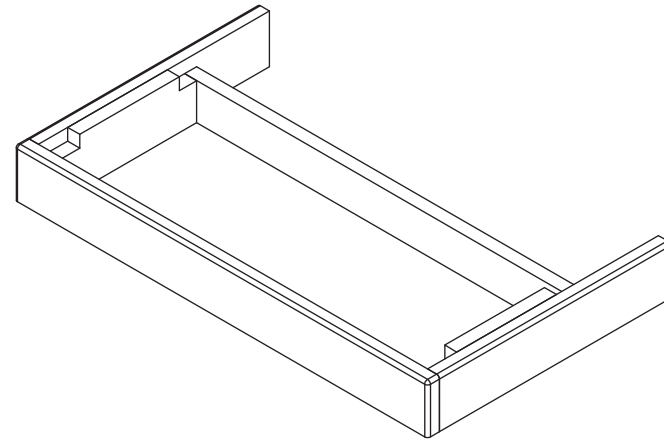
MAKE 3-4 NAILS PER CONNECTION
2 IDENTICAL BASES

STEP 2 ATTACH BASE MOULDS

2

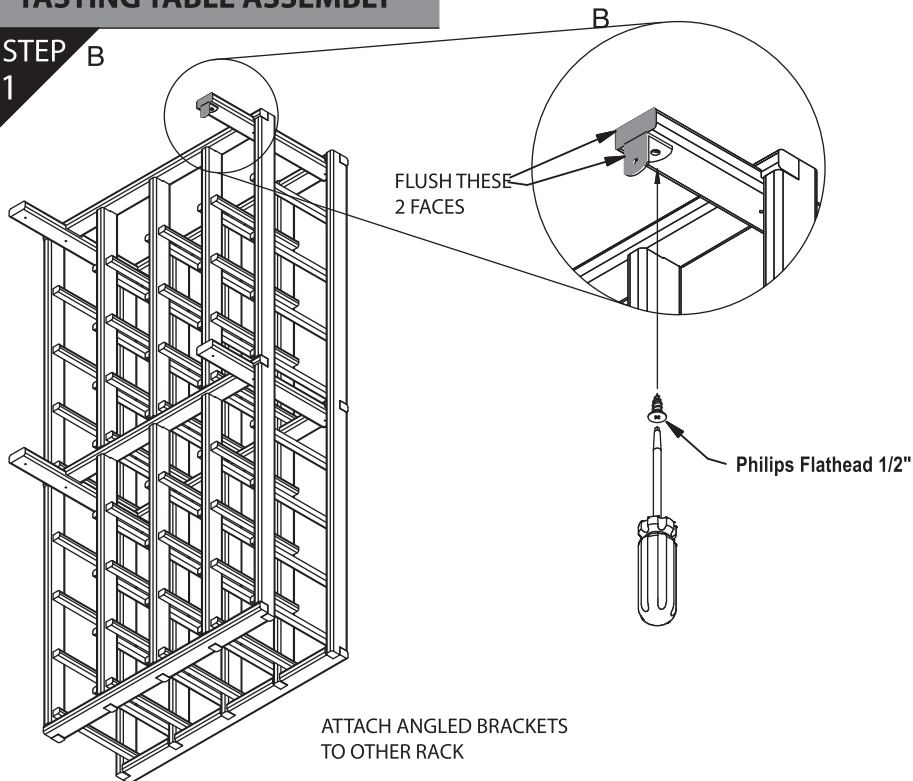


FINISHED BASE ASSEMBLY

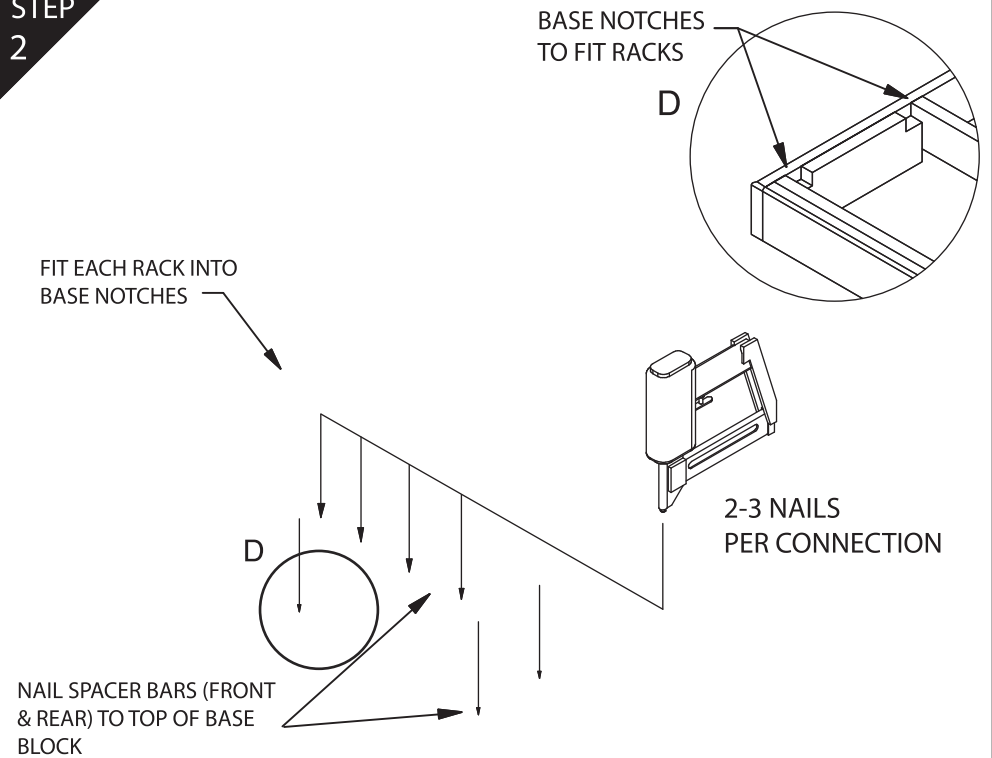


TASTING TABLE ASSEMBLY

STEP 1
B

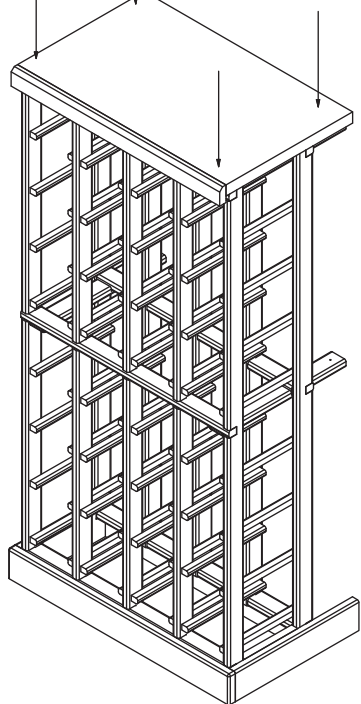


STEP 2



STEP
3

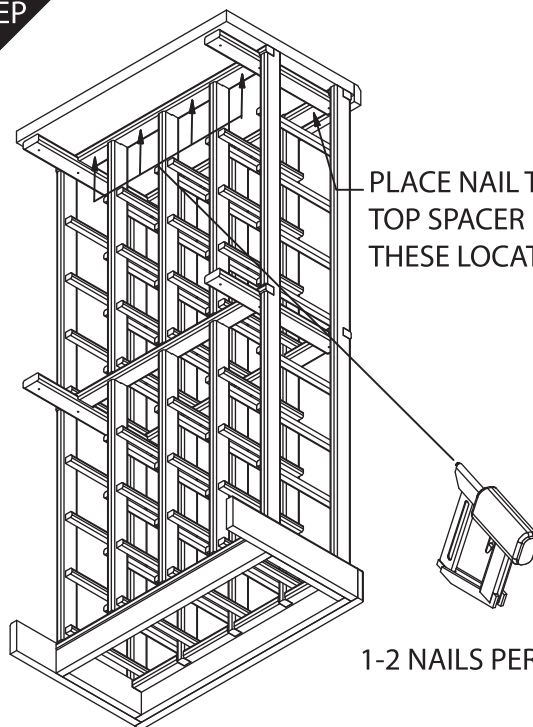
PLACE COUNTERTOP
ON RACKS



PLACING THE COUNTERTOP

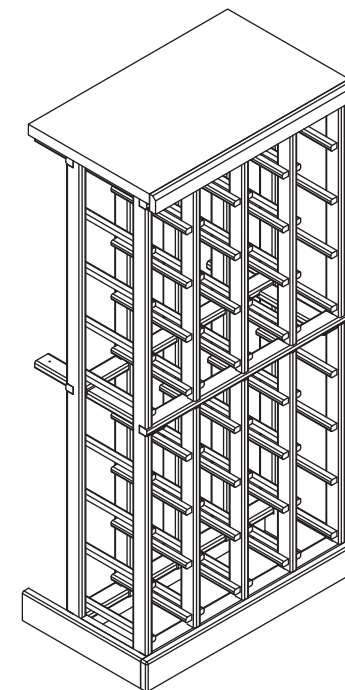
STEP
4

PLACE NAIL THROUGH
TOP SPACER BAR AT
THESE LOCATIONS



1-2 NAILS PER LOCATION

VIEW OF TASTE TABLE FROM UNDERNEATH TO
SHOW LOCATIONS OF NAILS



**TASTING TABLE 16 32 ASSEMBLY
IS COMPLETED**